



VXT VERTICAL FEED MIXERS

Models VXT-745 and VXT-865 Trailer



*Twin screws for faster
mixing and processing
of long fiber material.*



Dual 255/70R22.5 recap tires to handle heavy loads and provide excellent floatation.



Inclined conveyor with optional 14" spout with magnets to match your feeding needs.



Convertible chain and slat conveyor for left or right hand discharge.



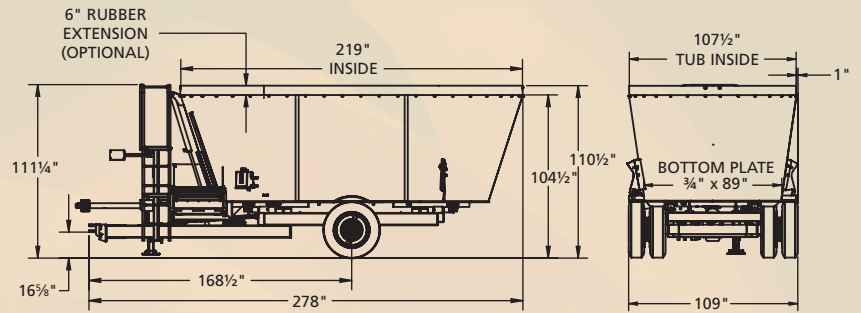
Two-speed gearbox for slow speed mixing and high RPM for better clean out. Optional hydraulic shifter allows operator to change between low and high gear from tractor seat.



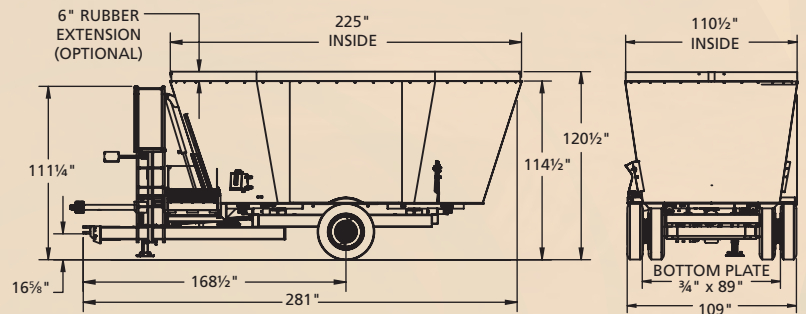
Optional 6" rubber extensions aid in reduction of wind loss and spillage when loading and processing hay.



VXT-745



VXT-865



Specifications	VXT-745 Trailer	VXT-865 Trailer
Maximum Load by Weight	18,500 lbs.	22,000 lbs.
Empty Weight	15,200	15,600
Overall Length	278"	281"
Transport Width	107.5"	110.5"
Height on Trailer	104.5"	114.5"
Minimum Horsepower	130	135
Mixing Capacity Cubic Feet	745	865
Tire Size	255/70R22.5	255/70R22.5
Tires, OD	36"	36"
Discharge Magnets	Optional	Optional
Screw Speeds at 1000-RPM PTO	27/low 40/high	27/low 40/high
PTO Speed	1000	1000
Conveyor Width	30"	30"

All dimensions and features listed are subject to change without notice.



ROTO-MIX® LLC

2205 E. Wyatt Earp, Dodge City, KS 67801
 Phone (620)225-1142 • Fax (620)225-6370
www.rotomix.com • info@rotomix.com

Sold and serviced in your area by: